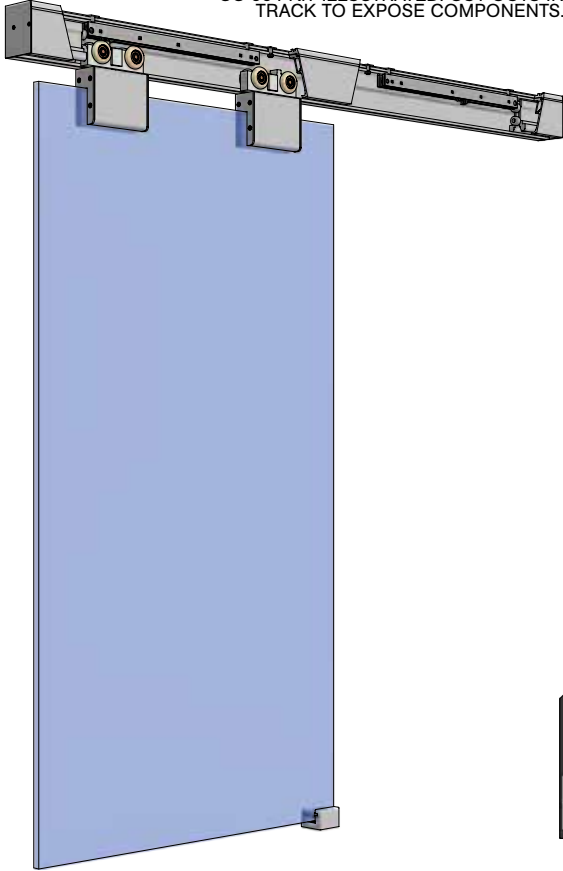


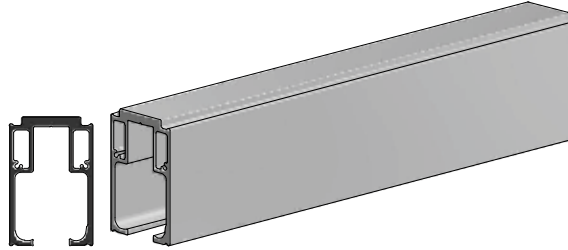
COMPLETE CCGH-[] WITH CC-902 AND CC-904 KIT ILLUSTRATED. CUT-OUTS IN TRACK TO EXPOSE COMPONENTS.

CROWDERTRACK'S CATCH 'N' CLOSE™ SYSTEM

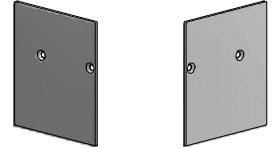
- PREVENTS BOUNCING AND SLAMMING OF SLIDING DOORS
- CAN BE INSTALLED ON BOTH OPENING AND CLOSING ENDS OF DOORS AS NARROW AS 24 in [610 mm] WIDE
- CYCLE TESTED UP TO 50,000 TIMES
- FOR 1/2 in [12 mm] OR 3/8 in [10 mm] THICK GLASS
- FOR UP TO 300 lbs. [136 kg] USING WITH CC-3



PARTS LIST



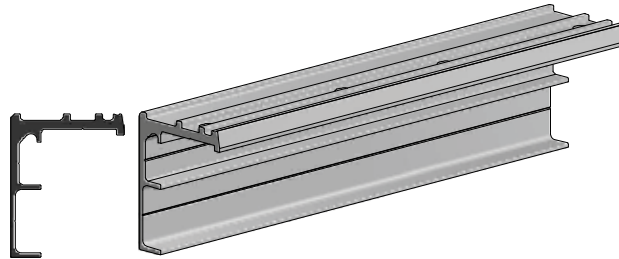
CC-904 TOP MOUNT TRACK C.A. X LENGTH (1)
 LENGTH = 2 X DOOR WIDTH, EXAMPLE:
 36 in [914 mm] = 72 in [1829 mm] TRACK



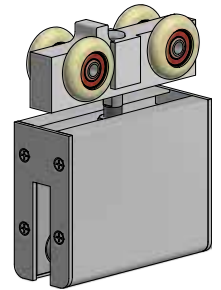
CC-921 END CAP (2)
 c/w SCREWS



#4 X 5/16" FLAT HEAD SCREWS (4)
 [FT29]

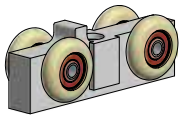


CC-902 SIDE MOUNT BRACKET X LENGTH (1)
 LENGTH = SAME AS TRACK LENGTH, EXAMPLE:
 72 in [1829 mm] = 72 in [1829 mm] BRACKET
AVAILABLE IN 4 LENGTHS ONLY:
 72" [1829 mm], 96" [2438 mm], 120" [3048 mm] & 144" [3658 mm].
 ALL LENGTHS COMPLETE WITH PUNCHED OBLONG HOLES. SEE CHART A.



CCGH-[] HANGER (2)

DISASSEMBLED PARTS LIST



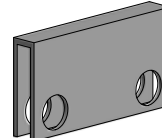
CCGH HANGER BODY (1)
 (c/w WHEELS)



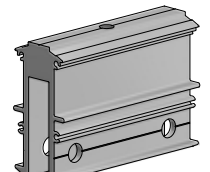
CGH-CB CUSTOM HANGER BOLT (1)



3/8"-16 HEX JAM NUT (3)
 [FT20]



CGH-RB[] RUBBER BOOT (1)
 (THICKNESS BASED ON GLASS SIZE)



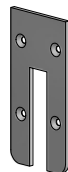
CGH ALUMINUM HANGER BODY X 4 in [101.6 mm] (1)



CGH NYLON SPACERS (2)



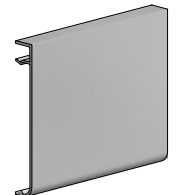
CGH-GB GLASS BOLT (2)



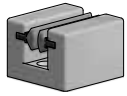
CGH-SEC SLOTTED END CAP (2)



#6-32 X 1/2" FLAT PHILLIPS UNDERCUT MACHINE SCREW (8)
 [FT49]



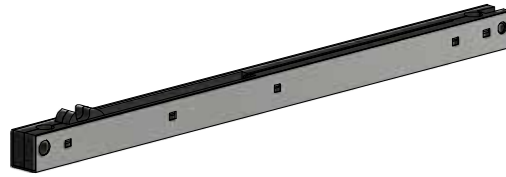
CGH-F FASCIA X 4 in [101.6 mm] (2)



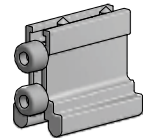
CGGS-1 STATIONARY GLASS GUIDE (1)
(BASED ON GLASS SIZE)



#10 X 1 1/2" FLAT HEAD SCREWS (2)
[FT7]



CATCH 'N' CLOSE CLOSING DEVICE (2)
(SEE DETAILS IN INSTRUCTION STEPS)

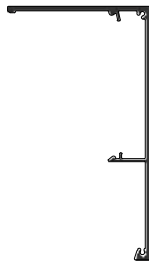
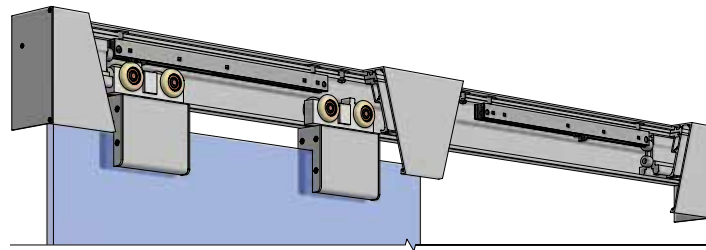


CC-101HD CATCH 'N' CLOSE IN-TRACK STOPS (2)

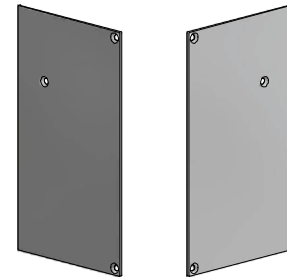
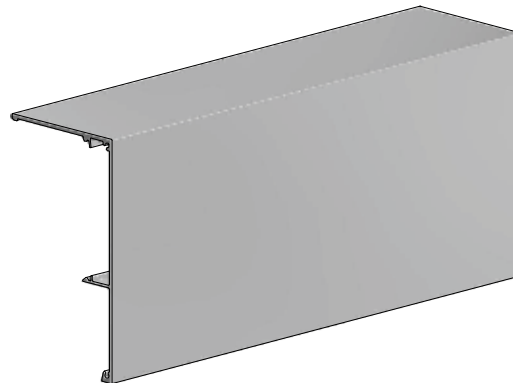


#10 X 1 1/2" SELF DRILLING SCREWS (4)
[FT5]

OPTIONAL ADD-ON PRODUCTS



CC-920 SNAP-ON FASCIA X LENGTH
LENGTH = SAME AS TRACK LENGTH, EXAMPLE:
72 in [1829 mm] = 72 in [1829 mm] FASCIA



CC-922 END CAPS (LEFT & RIGHT)



#4 X 5/16" FLAT HEAD SCREWS (FOR END CAPS)
[FT29]

CHART A: TAB NUTS & #10-24 MACHINE SCREWS QUANTITY

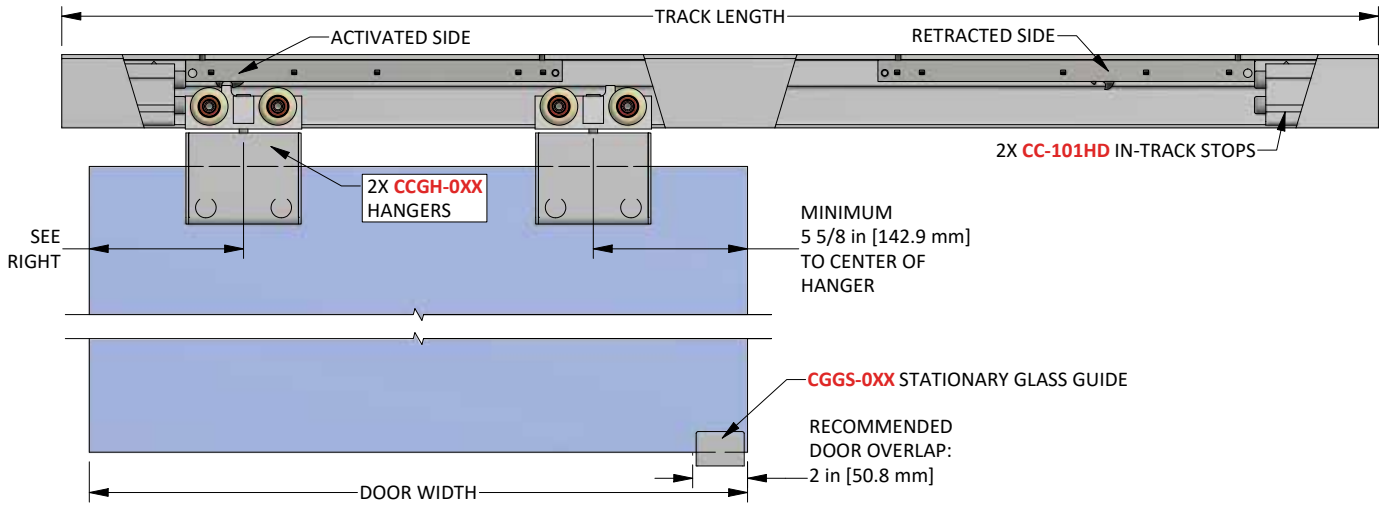
FOR CC-2/CC-3

FOR TRACK

CC-902 LENGTH	FOR CC-2/CC-3		FOR TRACK	
	#10-24 TAB NUTS [FT43]	#10-24 X 1" PAN HEAD MACHINE SCREWS [FT45]	#10-24 TAB NUTS [FT43]	#10-24 X 1/2" PAN HEAD MACHINE SCREWS [FT44]
72 in [1829 mm]	4	4	6	6
84 in [2134 mm]	4	4	7	7
96 in [2438 mm]	4	4	8	8
120 in [3048 mm]	4	4	12	12
144 in [3658 mm]	4	4	14	14

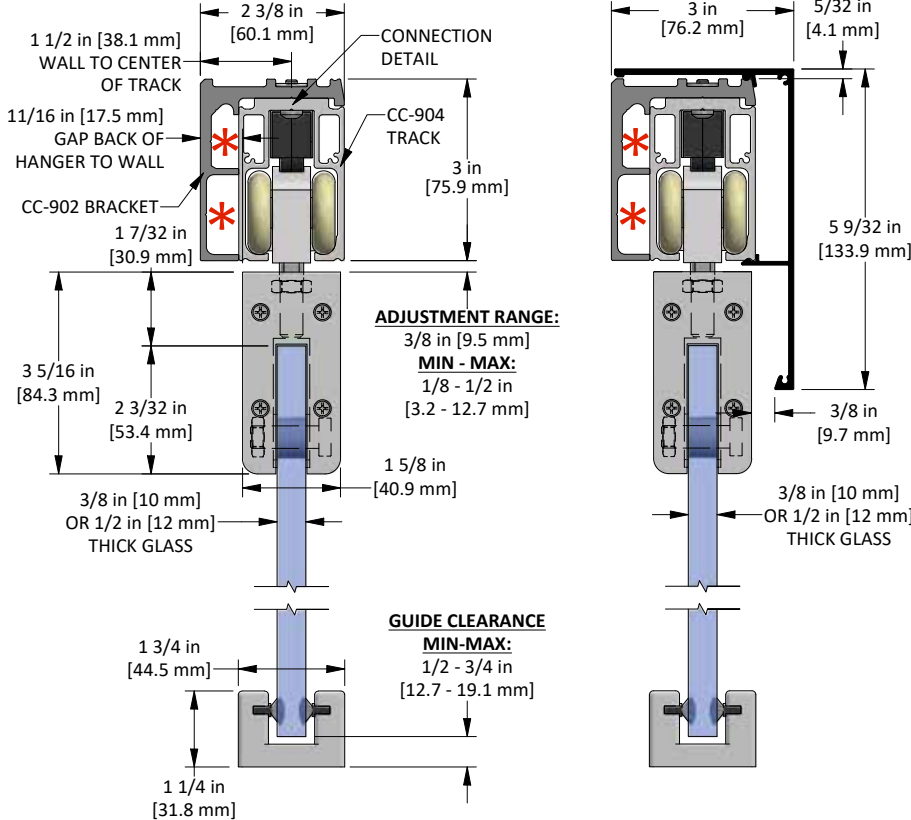
NOTE: HOLE SPACING OF PUNCHED OBLONG HOLES ON CC-902 BRACKETS ARE AS FOLLOWS: 1/2 in [12.7 mm] FROM EACH END, 19 in [483 mm] TO NEXT HOLE FROM STARTING HOLE, THEN 11 in [279 mm] ON CENTER TO THE MIDDLE. SPACING IS REPEATED ON OPPOSITE END TO THE MIDDLE OF THE CC-902 FULL LENGTH.

COMPLETE INSTALLATION ELEVATION VIEW



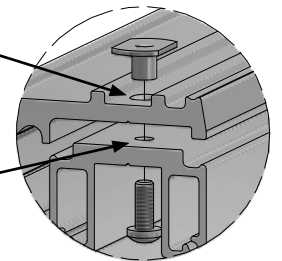
* INDICATES MOUNTING LOCATIONS TO THE WALL SUPPORT ON CC-902 SIDE MOUNT BRACKET

OPTIONAL CC-920 SNAP-ON FASCIA, ILLUSTRATED AS SOLID BLACK PROFILE



DETAIL A FASTENING DETAIL FOR TRACK & SIDE MOUNT BRACKET

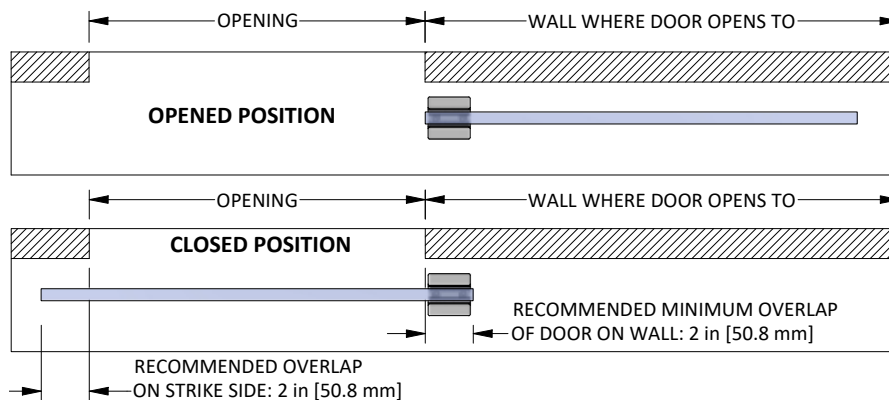
CC-902 SIDE MOUNT BRACKETS ARE SUPPLIED WITH OBLONG HOLES.



HOLES IN CC-904 TRACK BY INSTALLER

CCGH W/CC-902 & CC-904 TRACK (CCGH HANGER, CC-904 TRACK, CC-902 SIDE MOUNT BRACKET, CGGS GUIDE SYSTEM)

TYPICAL INSTALLATION LOCATION FOR FLOOR GUIDES: FOR BARN DOOR APPLICATIONS

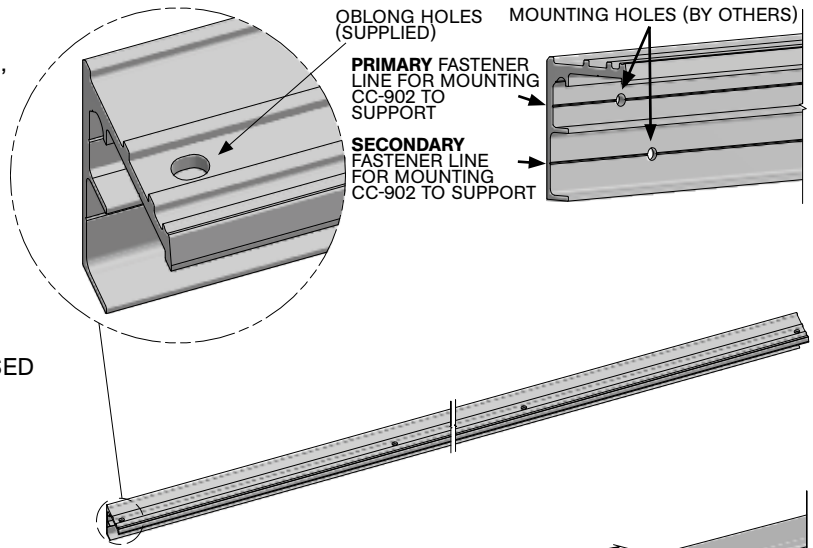


STEP #1:

DETERMINE DOOR SIZE, HEADER HEIGHT, TRACK POSITION, AND BOTTOM CLEARANCE BASED ON KIT CODE ORDERED BY USING DIMENSIONS SHOWN IN DETAIL VIEWS ON PREVIOUS PAGE.

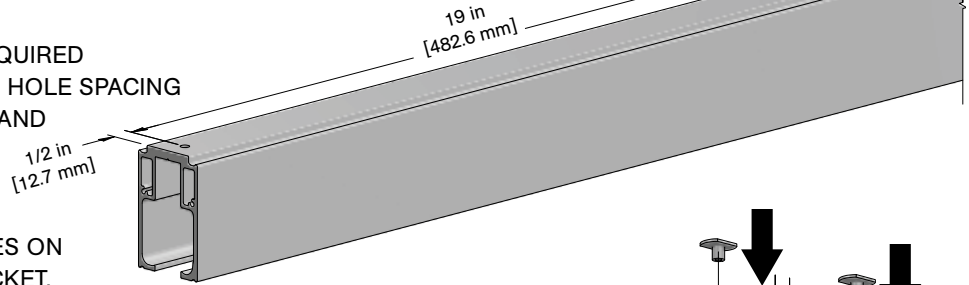
STEP #2:

CUT CC-902 IF REQUIRED. BASED ON SUPPORT STRUCTURE, DETERMINE FASTENERS TO BE USED AND DRILL MOUNTING HOLES IN CC-902 CONTINUOUS SIDE MOUNT BRACKET (SEE ILLUSTRATION TOP RIGHT). MOUNT CC-902 CONTINUOUS SIDE MOUNT BRACKET TO WALL BASED ON LOCATION DETERMINED IN STEP #1. **NOTE: MINIMUM 1/4" STRUCTURAL BOLTS RECOMMENDED TO SECURE THE TRACK. SOLID BACKING IS REQUIRED AND SPACING IS RECOMMENDED TO BE BETWEEN 12"-16" ON CENTER. CONSULT STRUCTURAL ENGINEER TO ENSURE ADEQUATE SUPPORT & FASTENING.**



STEP #3:

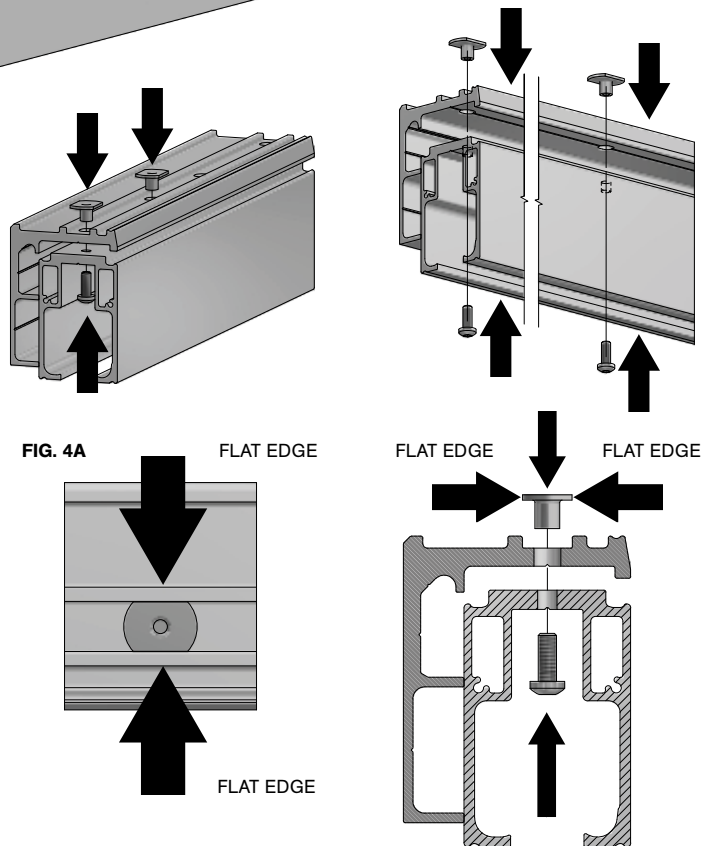
CUT CC-904 ALUMINUM TRACK TO SIZE IF REQUIRED (TYPICALLY 2 X THE DOOR WIDTH). MEASURE HOLE SPACING ON CC-902 PREVIOUSLY INSTALLED, LOCATE AND PRE-DRILL 1/4" Ø CLEARANCE HOLES LOCATE AND PRE-DRILL HOLES THROUGH THE CENTER OF THE TRACK. THESE HOLES SHOULD MATCH UP WITH THE OBLONG HOLES ON THE CC-902 CONTINUOUS SIDE MOUNT BRACKET.



STEP #4:

NOTE: IF ACCESS TO THE ENDS OF THE TRACK IS NOT AVAILABLE, STEPS #5 & 6 MUST BE COMPLETED BEFORE STEP #4.

INSTALL TAB NUTS [FT43] FROM TOP SIDE OF CC-902 CONTINUOUS SIDE MOUNT BRACKET INTO THE OBLONG HOLES. ENSURE TAB NUT FLAT EDGES SLIDE INTO "CHANNEL" ON THE TOP OF CC-902. SEE FIGURE #4A BELOW. THIS WILL PREVENT THE TAB NUT FROM TURNING WHEN FASTENING. **(NOTE: IF TOP OF CC-902 IS NOT ACCESSIBLE, PLEASE INSERT TAB NUT PRIOR TO INSTALLATION OF THE CC-902 TO THE SUPPORT. RECOMMENDATION: ALLOW AT LEAST 1" CLEARANCE BETWEEN THE TOP OF THE CC-902 AND ANY OBSTRUCTIONS THAT MAY BE PRESENT TO PROVIDE ACCESS TO THE TAB NUTS. ENSURE CC-902 IS FULLY SECURED BEFORE INSTALLING CC-904 TRACK AS THE SUPPORT FASTENERS WILL NOT BE ACCESSIBLE.)**



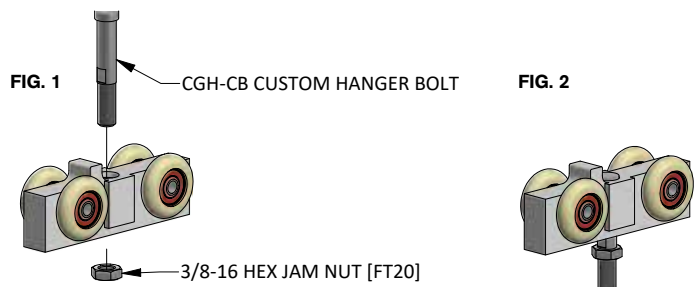
USING #10-24 X 1/2" PAN HEAD MACHINE SCREWS [FT44], SECURE THE CC-904 TRACK TO THE CC-902 CONTINUOUS SIDE MOUNT BRACKET BY THREADING INTO THE PREVIOUSLY INSTALLED TAB NUTS. SEE ILLUSTRATIONS BELOW. ENSURE THE TAB NUT DOES NOT LIFT UP AND REMAINS SEATED IN THE "CHANNEL" AT THE TOP OF THE CC-902.

STEP #5:

ASSEMBLE CCGH CATCH 'N' CLOSE HANGERS AS SHOWN RIGHT:

FIG. 1 - INSERT CGH-CB CUSTOM HANGER BOLT INTO CCGH HANGER BODY FROM TOP SIDE (SIDE WITH TRIGGER) AND THREAD 3/8-16 HEX JAM NUT ON BOLT.

FIG. 2 - COMPLETED CCGH HANGER ASSEMBLY(2 X REQUIRED)



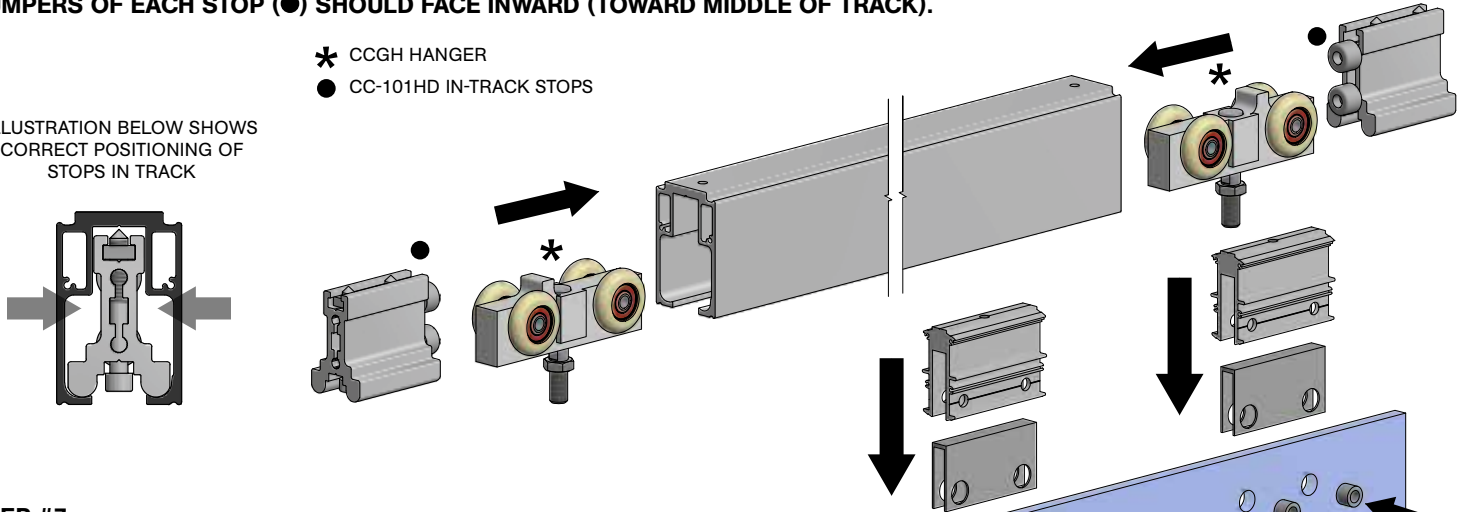
STEP #6:

SLIDE ONE (1) CCGH HANGER ASSEMBLY (*) WITH TRIGGER FACING END OF TRACK AND ONE (1) CC-101HD IN-TRACK STOP (●) INTO EACH END OF TRACK (AS SHOWN BELOW).

NOTE: LEAVE SCREWS ON CC-101HD IN TRACK STOPS (●) LOOSE TO ALLOW STOPS TO SLIDE FREELY WITHIN TRACK. RUBBER BUMPERS OF EACH STOP (●) SHOULD FACE INWARD (TOWARD MIDDLE OF TRACK).

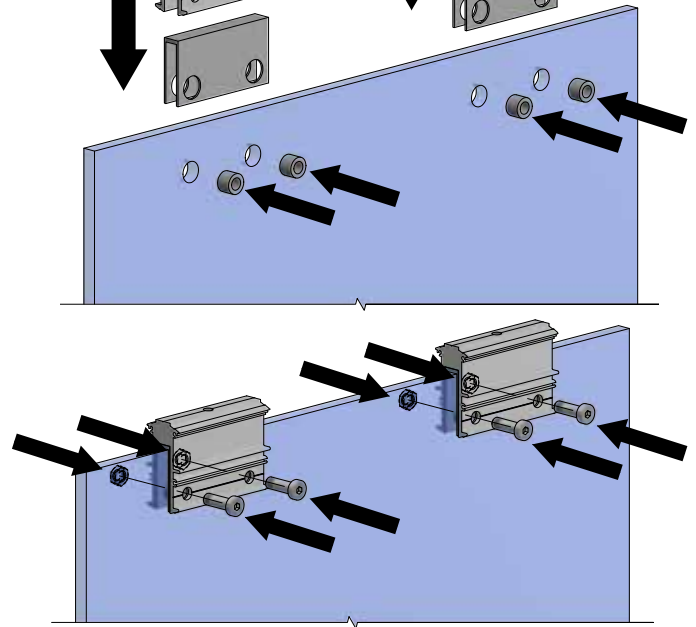
- * CCGH HANGER
- CC-101HD IN-TRACK STOPS

ILLUSTRATION BELOW SHOWS CORRECT POSITIONING OF STOPS IN TRACK



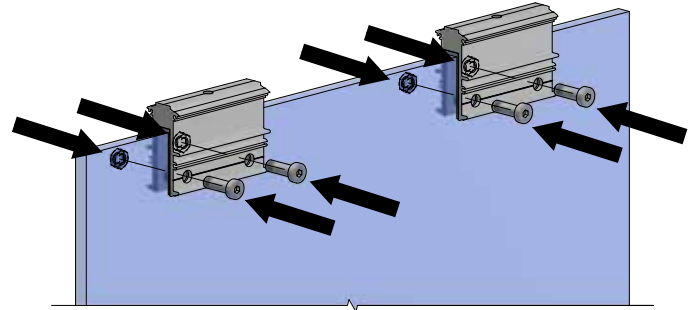
STEP #7:

PREPARE GLASS DOOR WITH HOLES PER GLASS PREP TEMPLATE ATTACHED. INSERT CGH NYLON WASHERS IN PREP HOLES OF GLASS DOOR. SLIP CGH-RB [] RUBBER BOOT OVER TOP EDGE OF GLASS, THEN CGH ALUMINUM HANGER BODY OVER RUBBER BOOT. ALIGN HOLES ON RUBBER BOOT AND HANGER BODY WITH CGH NYLON WASHERS AND HOLES ON GLASS DOOR. SEE RIGHT.



STEP #8:

THREAD (2) CGH-GB GLASS BOLTS PER HANGER THROUGH HOLES IN GLASS AND SECURE WITH (2) 3/8"-16 HEX JAM NUT [FT20]. SEE RIGHT.

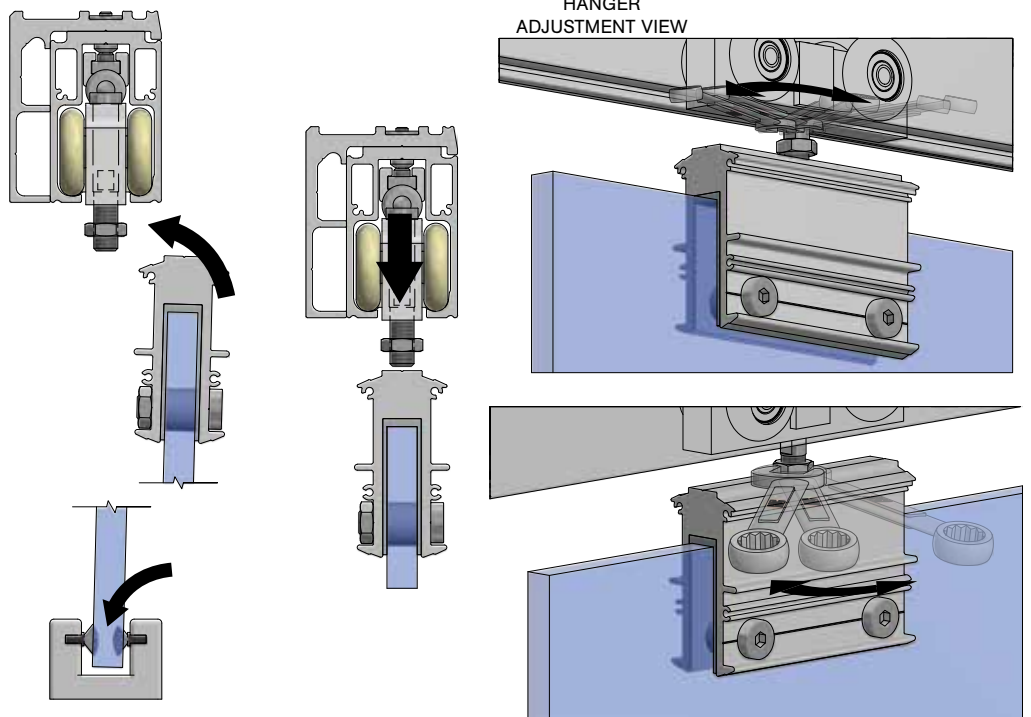


STEP #9:

SEE CHOSEN GUIDE SYSTEM INSTRUCTION SHEET FOR INSTALLATION STEPS.

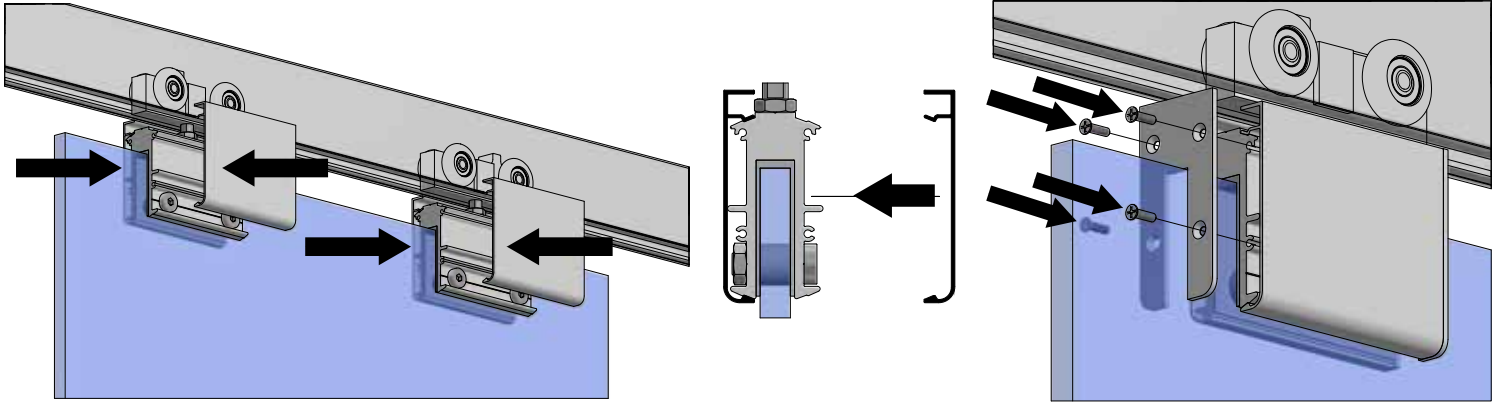
STEP #10:

RAISE DOOR, POSITION OVER GUIDE, AND UNDER HANGERS IN TRACK. LIFT CGH-CB HANGER BOLT IN TRACK AND ENGAGE WITH THREADED HOLE ON CGH HANGER BODY. ADJUST DOOR HEIGHT AND PLUMB BY USING 5/16" WRENCH ON ADJUSTMENT FLATS LOCATED ON CGH-CB HANGER BOLT. LOCK FINAL HEIGHT ADJUSTMENT WITH 3/8"-16 HEX JAM NUTS USING 9/16" WRENCH.



STEP #11:

SNAP CGH-F FASCIA ONTO HANGER BODY, ONE PER SIDE. PLACE CGH-SEC SLOTTED END CAPS ONTO ENDS OF EACH HANGER AND FASTEN WITH (4) #6-32 X 1/2" FLAT PHILLIPS UNDERCUT MACHINE SCREW [FT49] PER END CAP.



STEP #12:

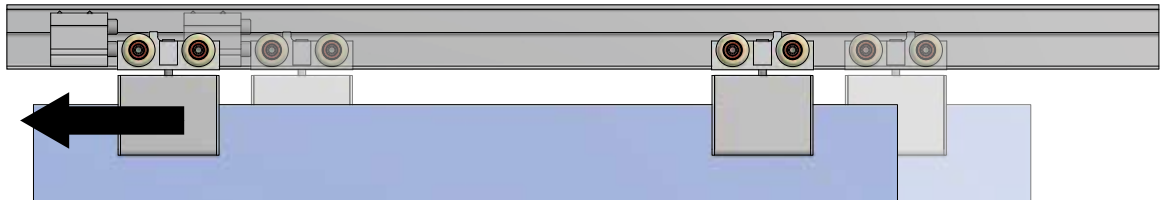
AFTER DOOR HAS BEEN INSTALLED, POSITION DOOR APPROXIMATELY 5-10 in [127-254 mm] AWAY FROM FINAL POSITION AT ONE END (SHOWN BELOW WITH LEFT SIDE). PUSH LOOSE CC-101HD STOP (INSTALLED IN STEP #6) AGAINST HANGER BODY AS SHOWN BELOW.



STEP #13:

WITH CC-101HD STOP LOOSE, SLIDE DOOR TO FINAL/DESIRED POSITION OF DOOR AS SHOWN BELOW.

NOTE: ENSURE THAT STRIKE AND TRIM THICKNESS ARE TAKEN INTO CONSIDERATION FOR FINAL/DESIRED POSITION OF DOOR.



STEP #14:

ONCE FINAL POSITION IS ACHIEVED, SLIDE DOOR AWAY FROM CC-101HD STOP. LOCK CC-101HD STOP IN POSITION BY TIGHTENING TWO CAP SCREWS ON CC-101HD STOP WITH 3/16" ALLEN KEY (CC-101HD IS SECURED BY FRICTION FIT WITH CONE POINT SCREWS).



STEP #15:

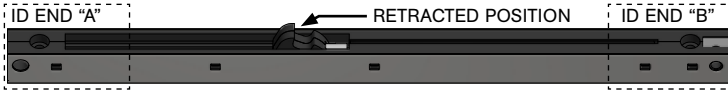
REPEAT STEPS #12 - #14 FOR OPPOSITE SIDE.

NOTE: ENSURE THAT STRIKE AND TRIM THICKNESS ARE TAKEN INTO CONSIDERATION FOR FINAL/DESIRED POSITION OF DOOR.

STEP #16:

BEFORE INSTALLING CATCH 'N' CLOSE CLOSING DEVICES, ENSURE DEVICES ARE IN RETRACTED POSITION AS SHOWN BELOW. IF NOT IN REQUIRED POSITION, SLIDE HOOK DOWN UNTIL IT LOCKS IN POSITION.

NOTE: REQUIRES SIGNIFICANT FINGER PRESSURE.

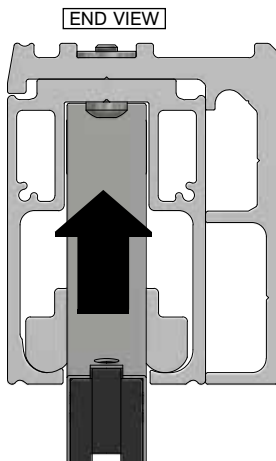
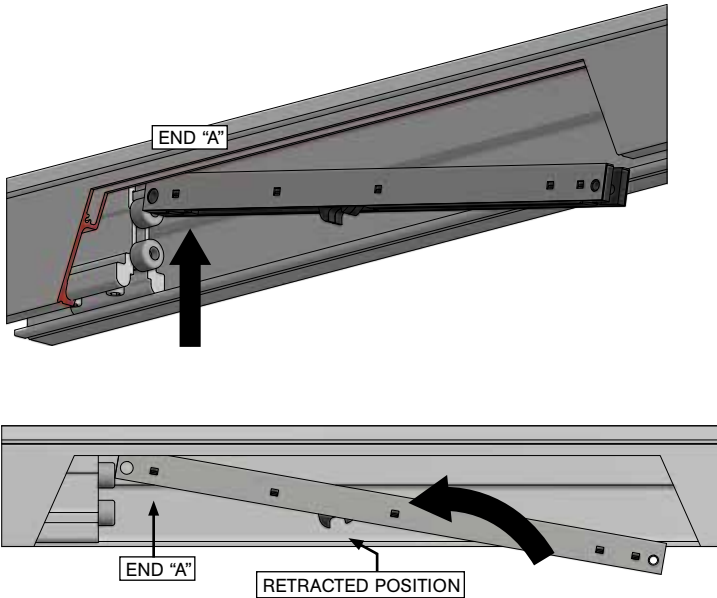


IMPORTANT CATCH 'N' CLOSE CLOSING DEVICE NOTES:

IF DOORS ARE 200LBS OR LESS, ENSURE CC-2 CATCH 'N' CLOSE CLOSING DEVICES ARE USED. IF DOORS ARE MINIMUM 200LBS UP TO 300LBS, ENSURE CC-3 CATCH 'N' CLOSE CLOSING DEVICES ARE USED.

STEP #17:

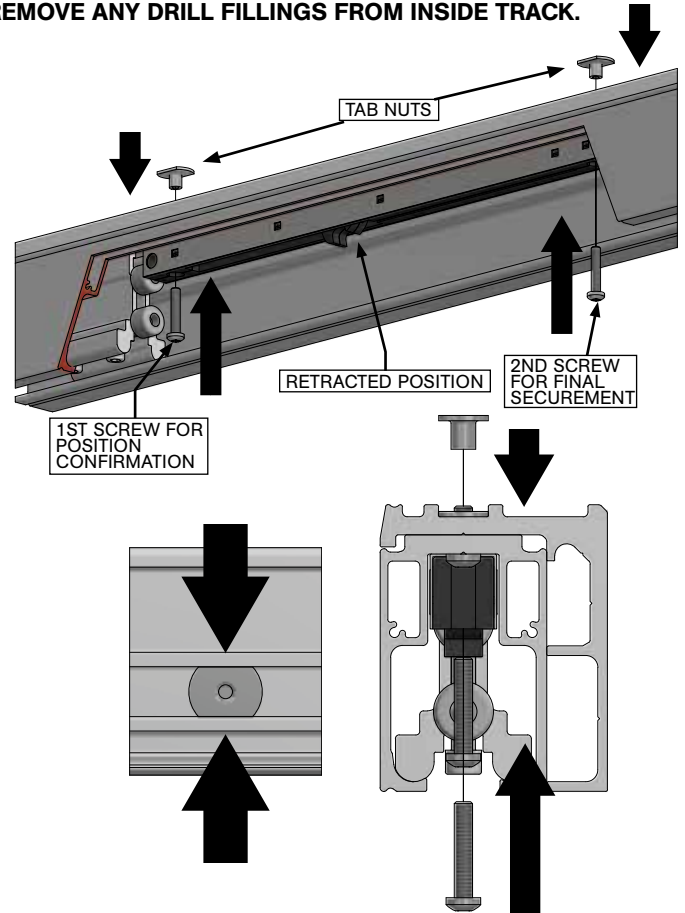
PLACE CATCH 'N' CLOSE CLOSING DEVICE INTO TRACK WITH LEADING END "A" RESTING AGAINST UPPER BODY ON CC-101HD STOPS INSTALLED PREVIOUSLY. SEE ILLUSTRATIONS BELOW:



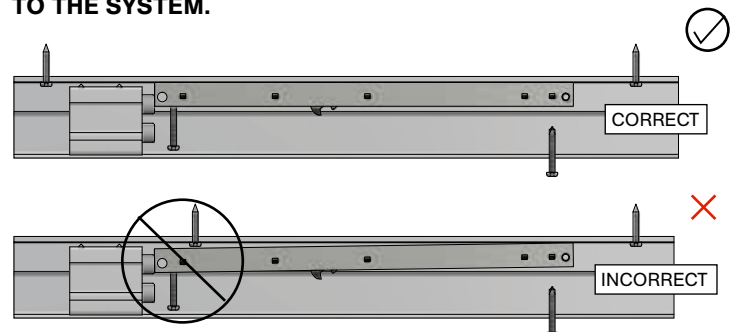
STEP #18:

LOCATE AND SECURE CATCH 'N' CLOSE CLOSING DEVICE TO TRACK WITH (2) #10-24 TAB NUTS [FT43] & (2) #10-24 X 1" PAN HEAD SCREWS [FT45]. PRE-DRILL TRACK AND HEADER BRACKET WITH WITH Ø1/4 in [6.4 mm] DRILL BIT. REPEAT FOR OPPOSITE END WITH CATCH 'N' CLOSE CLOSING DEVICE INSTALLED IN REVERSE AS SHOWN ON FRONT PAGE IN "COMPLETE INSTALLATION ELEVATION VIEW" ILLUSTRATION.

NOTE: DO NOT OVERTIGHTEN SCREWS. SECURE FIRST SCREW CLOSEST TO CC-101HD STOP ONLY AND TEST SYSTEM BY SLIDING DOOR TO ACTIVATE CATCH 'N' CLOSE. IF IT IN CORRECT POSITION, SECURE WITH SECOND SCREW. REMOVE ANY DRILL FILLINGS FROM INSIDE TRACK.

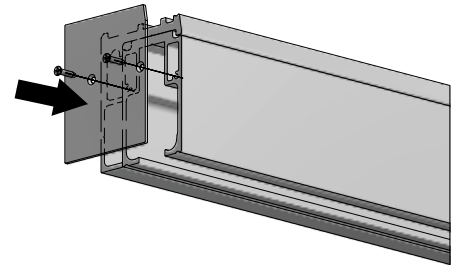


NOTE: ENSURE AREA OF TRACK WHERE CATCH 'N' CLOSE DEVICE WILL BE INSTALLED IS FREE OF FASTENERS. SECURING CATCH 'N' CLOSE DEVICE ONTOP OF A FASTENER MAY LEAD TO OPERATION ISSUES OR DAMAGE TO THE SYSTEM.



STEP #19:

TEST COMPLETE CATCH 'N' CLOSE SYSTEM BY SLIDING DOOR TO BOTH LEFT AND RIGHT TO ACTIVATE CLOSING DEVICES.



CC-920 FASCIA & CC-922 END CAP INSTALLATION

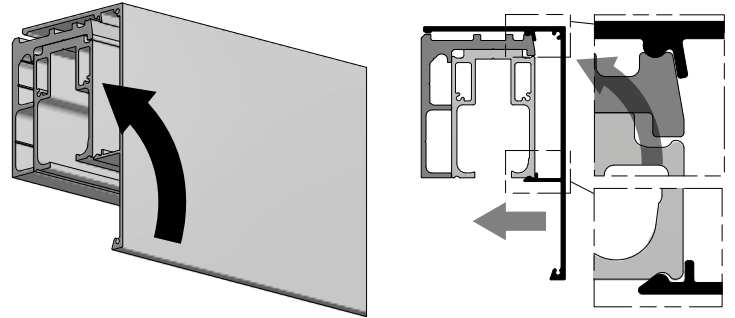
STEP #F1:

CUT CC-920 FASCIA TO CORRECT LENGTH IF REQUIRED. TYPICALLY, FASCIA IS SAME LENGTH AS TRACK PREVIOUSLY INSTALLED.

STEP #F2:

LIFT FASCIA UP TO TRACK AND SNAP-ON AS SHOWN BELOW.

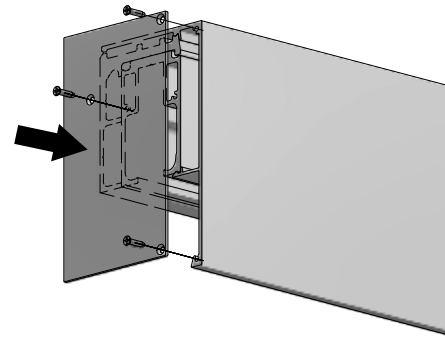
NOTE: IF FASCIA IS LOOSE AND A TIGHTER FIT IS DESIRED, USE A RUBBER Mallet ON INSIDE LEG OF FASCIA TO REDUCE GAP (AT +/-24 in [610 mm] INTERVALS).



STEP #F3:

INSTALL CC-922 END CAP AS SHOWN BELOW WITH THE SUPPLIED #4 X 5/16" FLAT HEAD SCREWS [FT29] (3 SCREWS PER END CAP PROVIDED).

NOTE: DO NOT INSTALL WITH IMPACT DRIVER.



TROUBLESHOOTING

ISSUE	SOLUTION
CHATTER/NOISE WHEN DOOR IS SLIDING	ENSURE THERE ARE NO ALUMINUM SHAVINGS WITHIN TRACK. SHAVINGS CAN BECOME EMBEDDED IN NYLON TIRES AND CAUSE NOISE DURING OPERATION.
DOOR IS HARD TO MOVE	ENSURE GUIDE CHANNEL SECURED TO BOTTOM OF DOOR IS NOT OVER-TIGHTENED AS THIS COULD CAUSE SIDES OF GUIDE CHANNEL TO "PINCH" GUIDE. REMOVE DOOR AND CHECK GUIDE CHANNEL BY ROLLING GUIDE ROLLER IN CHANNEL TO ENSURE SMOOTH TRAVEL. THERE SHOULD BE LITTLE TO NO RESISTANCE. ENSURE DOOR IS NOT DRAGGING ON BOTTOM OF FLOOR/GUIDES AND ADJUST HEIGHT OF DOOR AS REQUIRED.
DOOR RATTLES	ENSURE LOCKING NUTS & SCREWS ON HANGERS ARE SECURED AND NOT LOOSE.
DOOR IS NOT ENGAGING CLOSING DEVICE	ENSURE HANGERS ARE CORRECTLY ORIENTED. SEE STEPS #4 - #5. ENSURE CATCH 'N' CLOSE CLOSING DEVICES ARE IN CORRECT RETRACTED OR EXTENDED POSITION PRIOR TO SLIDING DOOR CLOSED/OPEN. SEE STEP #14.
REPLACING THE CATCH 'N' CLOSE DEVICE	THE CATCH 'N' CLOSE TRACK AND HARDWARE SYSTEM HAS BEEN DESIGNED FOR EASY INSTALLATION. REMOVE TWO SCREWS THAT HOLD CATCH 'N' CLOSE CLOSING DEVICE IN PLACE AND REPLACE DEVICE WITH A NEW ONE IF FAILURE OCCURS.

GLASS DOOR PREP DETAILS

